

**LINK**® | **Auxiliary  
Suspensions**

Link Mfg. Ltd.  
223 15th St. N.E.  
Sioux Center, IA USA  
51250-2120  
[www.linkmfg.com](http://www.linkmfg.com)

**QUESTIONS?  
CALL CUSTOMER  
SERVICE  
1-800-222-6283**

# INSTALLATION INSTRUCTIONS

**4AS00116  
SERVICE KIT  
GAUGE**



**IMPORTANT:** IT IS IMPORTANT THAT THE ENTIRE INSTALLATION INSTRUCTIONS BE READ THOROUGHLY BEFORE PROCEEDING WITH THE INSTALLATION.






## 1. INTRODUCTION

Thank you for choosing a Link Auxiliary Suspension. We want to help you get the best results from this suspension and to operate it safely. This instruction contains information to assist in the installation of the reverse lock assemblies for your Link Auxiliary Suspension. This instruction is intended solely for use with this product.

All information in this instruction is based on the latest information available at the time of printing. Link Manufacturing reserves the right to change its products or manuals at any time without notice.


Damaged components should be returned to Link with a pre-arranged Returned Materials Authorization (RMA) number through the Customer Service Department. The damaged component may then be replaced if in compliance with warranty conditions.

## 2. SAFETY SYMBOLS, TORQUE SYMBOL, and NOTES

 <b>DANGER</b>	<b>DANGER</b> indicates a hazardous situation which if not avoided, will result in death or serious injury.
 <b>WARNING</b>	<b>WARNING</b> indicates a potentially hazardous situation which, if not avoided, could result in death or serious injury.
 <b>CAUTION</b>	<b>CAUTION</b> indicates a potentially hazardous situation which, if not avoided, could result in minor or moderate injury.
 <b>NOTICE</b>	<b>NOTICE</b> indicates a potentially hazardous situation which, if not avoided, may result in property damage.
 <b>TORQUE</b>	<b>TORQUE</b> indicates named fasteners are to be tightened to a specified torque value.
<b>NOTE:</b>	A Note provides information or suggestions that help you correctly perform a task.

## 3. SAFE WORKING PRACTICES

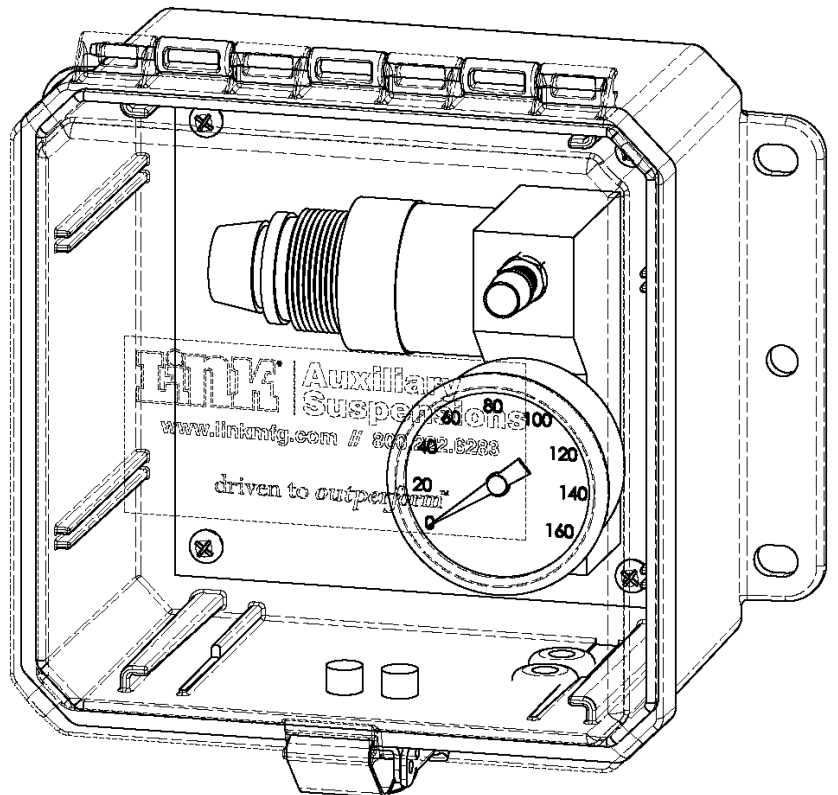
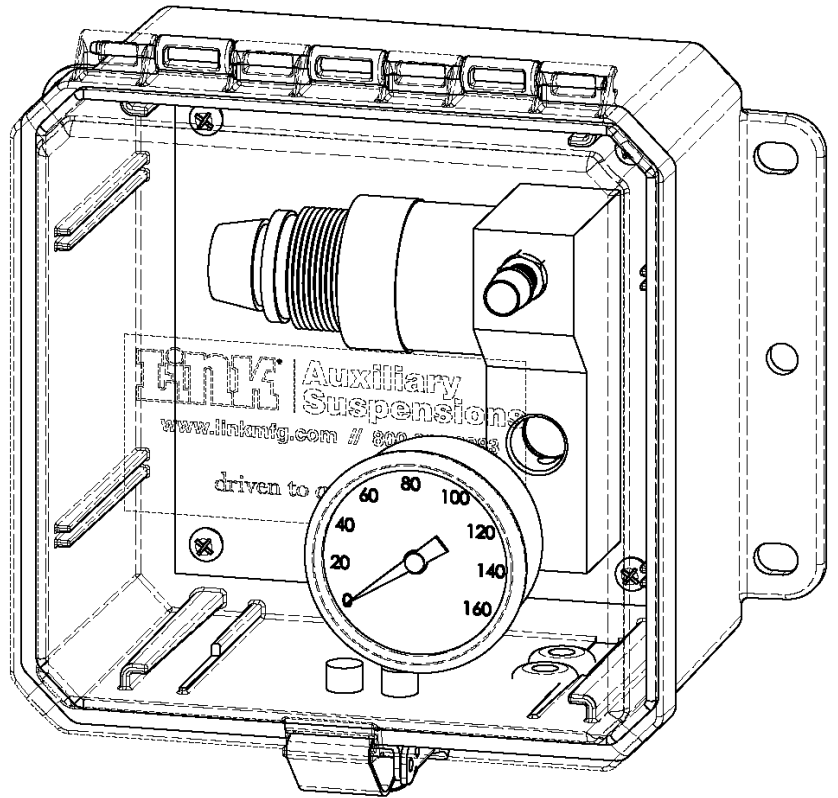
 **CAUTION** When handling parts, wear appropriate gloves, eyeglasses, ear protection, and other safety equipment.

 **CAUTION** Proper tightening of fasteners is important to the performance and safety of the suspension. Follow all torque specifications throughout the instructions.

## 4. INSTALLATION

1. Hand tighten threaded side of gauge into aluminum base of regulator.
2. Once hand tight, tighten two (2) full turns, then continue to turn to desired position.

**⚠WARNING** HAND TIGHTEN ONLY, DO NOT USE TOOLS SUCH AS CHANNEL LOCK PLIERS





LINK MANUFACTURING, LTD.  
223 15TH ST. NE, SIOUX CENTER, IA 51250  
1-800-222-6283 [www.linkmfg.com](http://www.linkmfg.com)