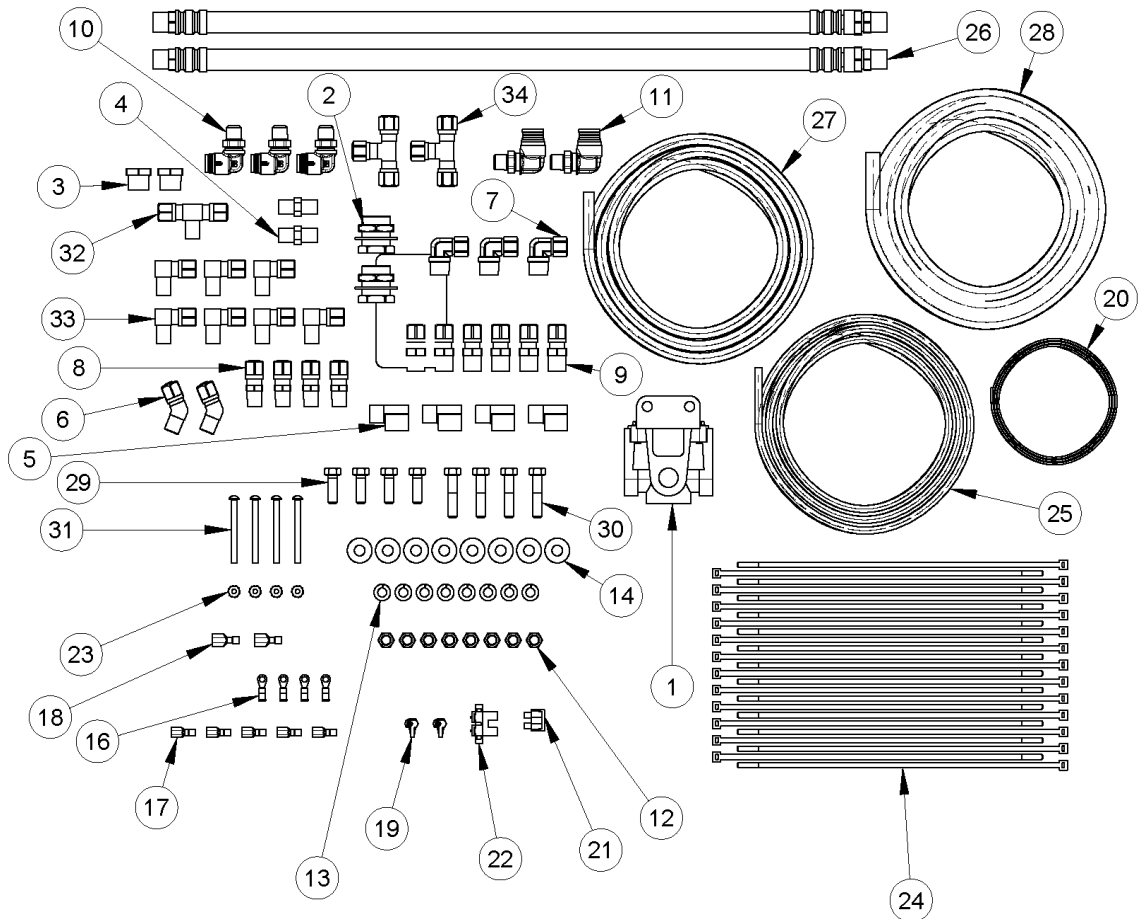


LINK[®] Auxiliary Suspensions

INSTALLATION KIT/ PARTS LIST 800A0256



| ITEM | PART NUMBER | DESCRIPTION | QTY | ITEM | PART NUMBER | DESCRIPTION | QTY |
|------|-------------|--|-----|------|-------------|---|-----|
| 1 | 13010508 | RELAY VALVE, RG-2, MIDLAND | 1 | 18 | 15051101 | CONNECTOR-SLIDE, MALE 14-16 | 2 |
| 2 | 13022004 | COUPLING-BULKHEAD, 3/8 F-NPT | 2 | 19 | 15051250 | T-TAP, 14-18 | 2 |
| 3 | 13022018 | BUSHING-REDUCER, 1/2 M-NPT - 1/4 F-NPT | 2 | 20 | 15051505 | WIRE-PRIMARY, 14 GA. GPT (BLACK) 30 FT. | 1 |
| 4 | 13022065 | HEX NIPPLE, 1/4 M-NPT | 2 | 21 | 15051868 | FUSE-AUTOMOTIVE, 10 AMP | 1 |
| 5 | 13022102 | ELBOW, 90 STREET (3/8-NPT) | 4 | 22 | 15051884 | HOLDER-FUSE, AUTOMOTIVE, 14-18 | 1 |
| 6 | 13024021 | ELBOW 45, 3/8 TB, 1/4 M-NPT, DOT | 2 | 23 | 15060042 | 10-32 KEP NUT | 4 |
| 7 | 13024040 | ELBOW-3/8 TB, 3/8 M-NPT | 3 | 24 | 15060081 | NYLON CABLE TIE, 11" LONG | 25 |
| 8 | 13024073 | CONNECTOR, 3/8 TB 1/4 M-NPT, DOT | 4 | 25 | 13020090 | 3/8 AIRLINE | 1 |
| 9 | 13024074 | CONNECTOR, 3/8 TB 3/8 M-NPT, DOT | 6 | 26 | 13029972 | ASSEMBLY-AIR BRAKE HOSE (26 IN.) | 2 |
| 10 | 13025094 | ELBOW-SWIV, 3/8 TB, 1/4 M-NPT | 3 | 27 | 13034G55 | AIRLINE-NYLON, .375 O.D., 65.0' COIL | 1 |
| 11 | 13025097 | ELBOW-SWIV, 1/2 TB, 1/4 M-NPT | 2 | 28 | 13035000 | 3/8 AIRLINE | 1 |
| 12 | 14701004 | 5/16 UNC HEX NUT (GR B) O&P | 8 | 29 | 140B1008 | 5/16 X 1 UNC HEX CAP SCR (GR 8) O&P | 4 |
| 13 | 14851004 | 5/16 LOCK WASHER OIL&PHOS | 8 | 30 | 140B1012 | 5/16 X 1 1/2 UNC HEX CAP SCR (GR 8) O&P | 4 |
| 14 | 14871000 | 5/16 TYPE A PLAIN WASHER | 8 | 31 | 144N0B18 | 10-32 X 2 1/4 ROUND HEAD MACH. SCREW | 4 |
| 15 | 15001816 | BAG-PLASTIC,HEATSEALED (8.0 X 15.0) | 3 | 32 | H15539 | MALE BRANCH TEE, 3/8 TB 1/4 M-NPT, DOT | 1 |
| 16 | 15050055 | TERMINAL-RING, #10 STUD, 14-16 | 4 | 33 | H15582 | MALE ELBOW, 3/8 TB 1/4 M-NPT, DOT | 7 |
| 17 | 15051100 | CONNECTOR-SLIDE, FEMALE, 14-16 | 5 | 34 | H16564 | TEE, 3/8 UNION, DOT | 2 |

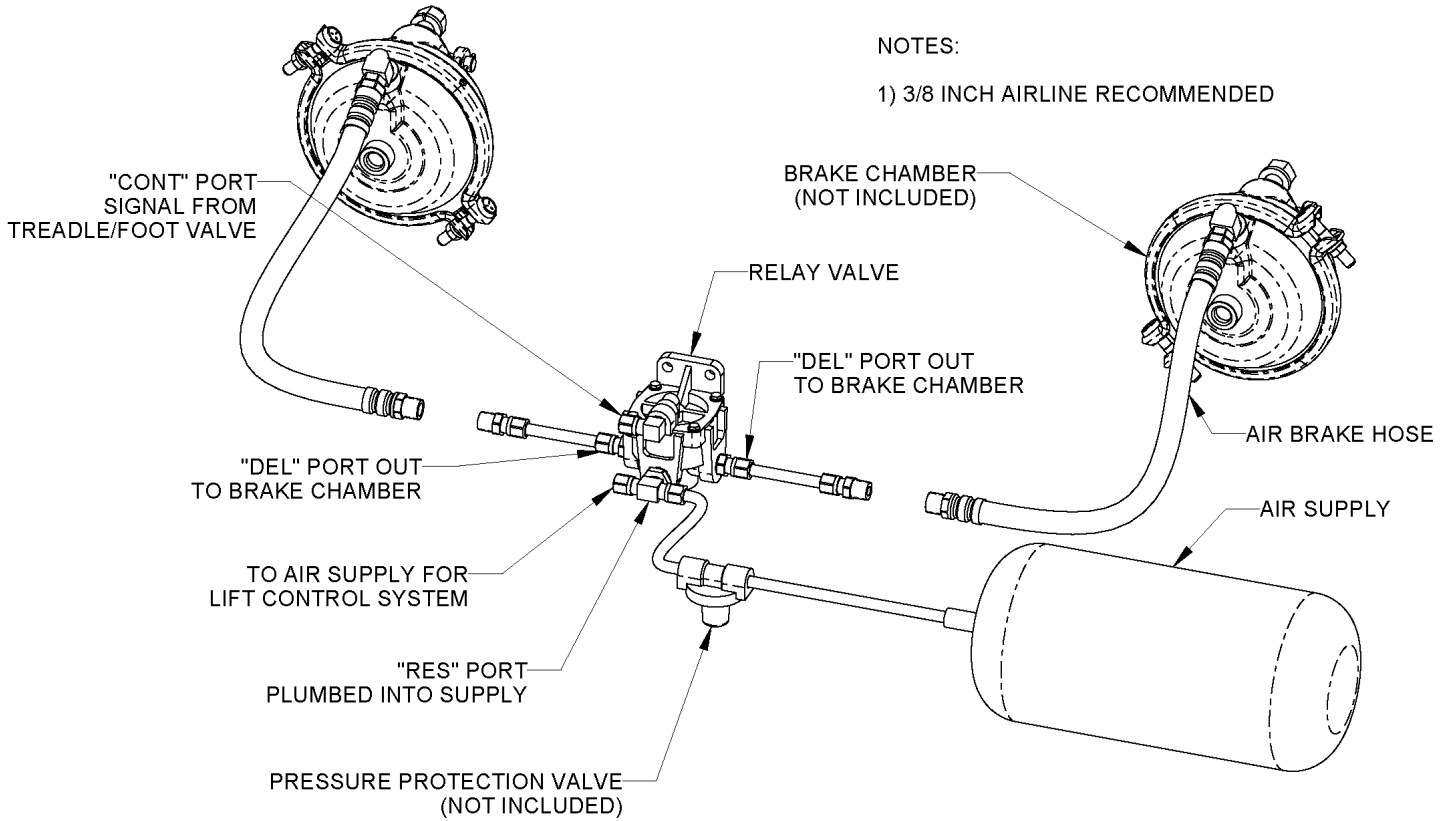
Link Mfg. Ltd.
223 15th St. N.E.
Sioux Center, IA USA
51250-2120
www.linkmfg.com

QUESTIONS?
CALL CUSTOMER
SERVICE
1-800-222-6283

BRAKE PLUMBING DIAGRAM

NOTES:

1) 3/8 INCH AIRLINE RECOMMENDED



LINK MANUFACTURING, LTD.
223 15TH ST. NE, SIOUX CENTER, IA 51250
1-800-222-6283 www.linkmfg.com