

**Cargo
Management**

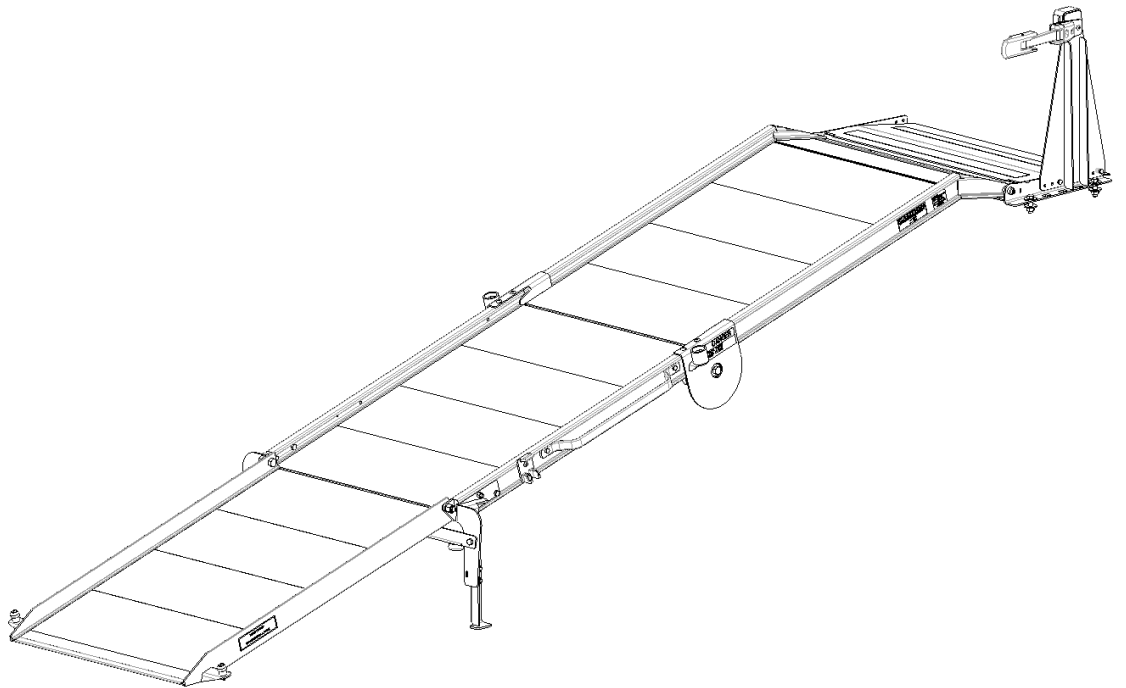
LINK[®]

Link Mfg. Ltd.
223 15th St. N.E.
Sioux Center, IA USA
51250-2120
www.linkmfg.com

**QUESTIONS?
CALL CUSTOMER
SERVICE
1-800-222-6283**

INSTALLATION INSTRUCTIONS

**24" LT30 (78524A01)
30" LT30 (78524A02)
36" LT30 (78524A03)**



LINK MODEL “LT30”

Review the **Parts List** on **Page 3** to become familiar with the different components of the **LT30**. Be sure all items were included before beginning assembly.

IMPORTANT: Installation of the **LT30** will vary depending on what type of vehicle you have and how you have it set up. Due to variables in different vehicles, the fit of the **LT30** should be evaluated before beginning installation.

⚠ WARNING

Link products must be installed by a trained technician when being placed into an Electric Vehicle (EV). Electric Vehicles have higher voltage batteries and cables, and drilling into Electric Vehicles may cause serious bodily harm and possibly death.

Note: Link is not responsible for optional configurations or equipment that restrict the installation of the product in any way. Consult OEM body builder guides for additional installation guidelines.

- A. The **LT30** Ramp is shipped partially assembled. Complete the assembly of the **LT30** before beginning installation (See **FIG. 1** and **FIG. 2** for assembly details.) The bumper plate, latch, latch extension plate, and keeper can be installed on either side of the ramp depending on user preference.
- B. Before installation, place the **LT30** in position and check all clearance issues. Be sure there is adequate clearance between the **LT30** and the van components (doors, door opening, roof, etc.) Remember: You will need access to both the ramp handle and the latch.
- C. Once positioned, locate 4 holes on the mount plate that when drilled will clear fuel tank, frame, exhaust, and other components under the floor of the van. Mark the 4 holes to be used for mounting the **LT30**. Set aside the ramp and the mount plate. **Important: Before drilling, double check that these holes are accessible and will not damage important van components. Check under the van to ensure no damage will occur in that area.**
- D. Drill four 7/16” holes.
- E. Remove the ramp from the mount plate and bolt the mount plate in place using the supplied fastener (See **Page 3** for details).
- F. Attach the ramp and confirm smooth operation and clearances.
- G. If a different ramp angle is desired, the length of the ramp legs can be changed by moving the foot brackets.

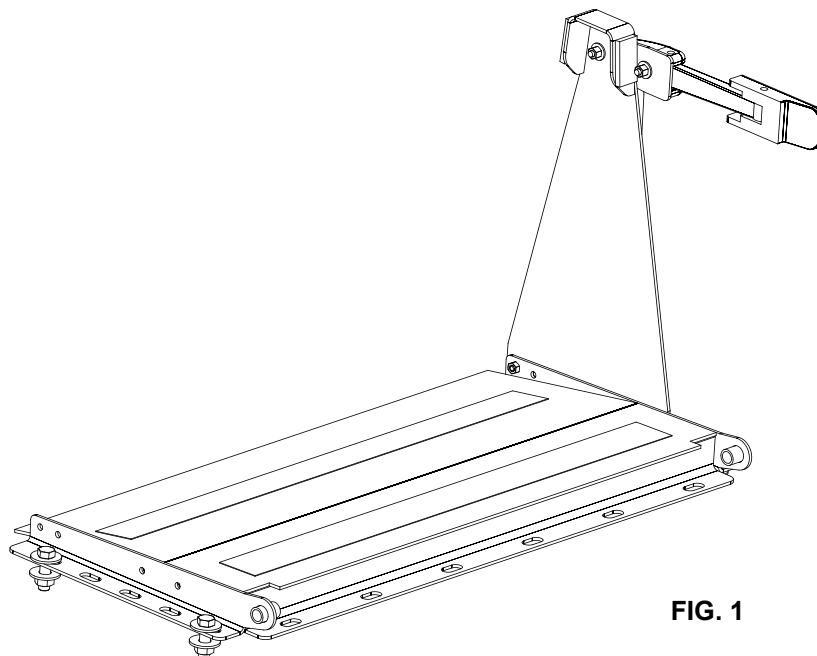
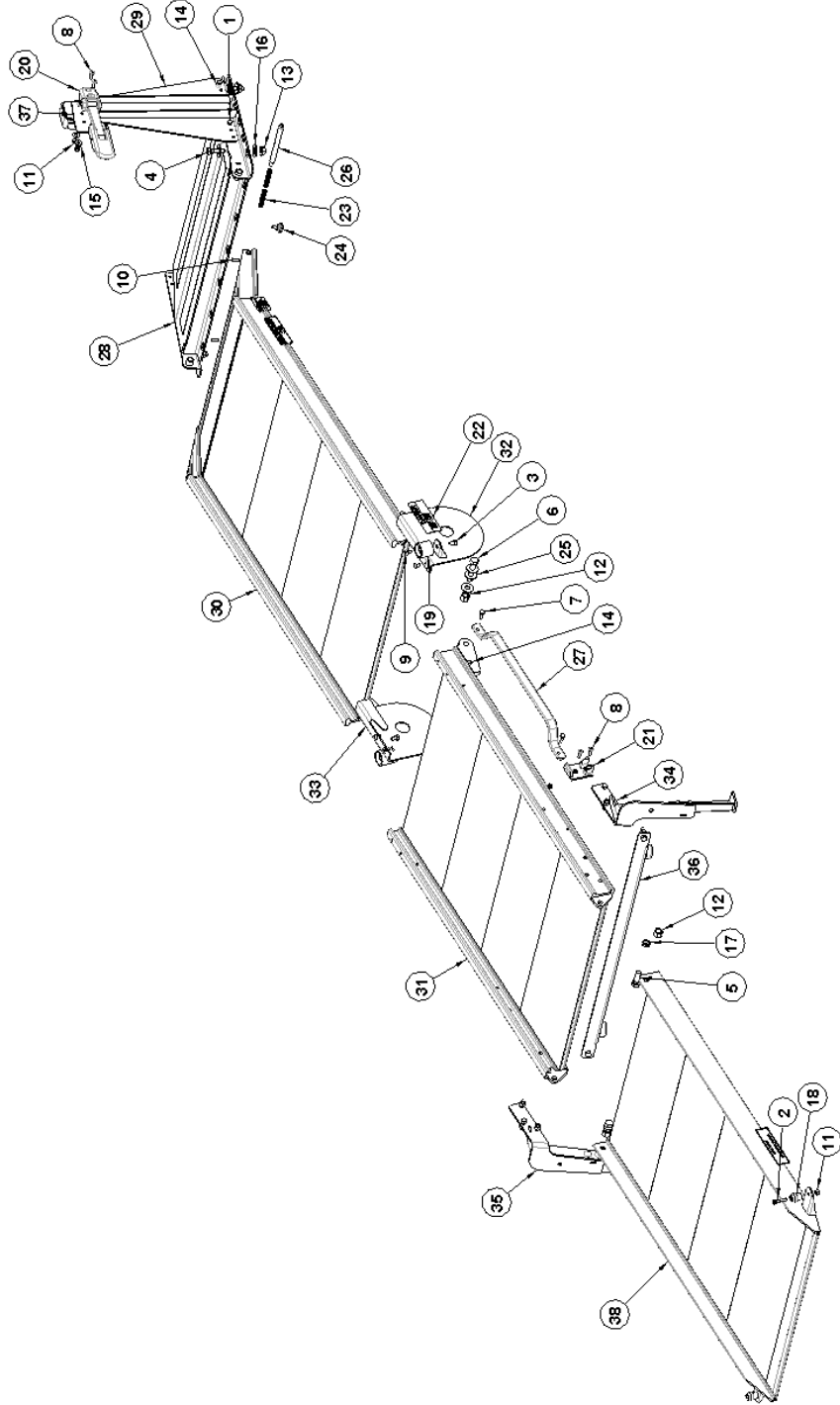


FIG. 1

LT30 EXTENDED RAMP PARTS LIST

ITEM	DESCRIPTION	QTY
1	1/4 X 1/2 UNC HEX CAP SCR	2
2	1/4 X 1 1/4 UNC HEX CAP SCR	2
3	5/16 X 1/2 UNC HEX CAP SCR	2
4	7/16 X 1 1/2 UNC HEX CAP SCR	4
5	1/2 X 1 1/2 UNC HEX CAP SCR	2
6	1/2 X 2 1/2 UNC HEX CAP SCR	2
7	1/4 X 3/4 UNC HEX CAP SCR	2
8	1/4 X 3/4 UNC PAN HD PH MACH SCR	5
9	1/4 X 1/2 UNC TRUSS HD PH MACH SCR	4
10	ROLL PIN, 1/4 X 3/4	2
11	1/4 UNC HEX NYLOCK NUT	5
12	1/2 UNC HEX NYLOCK NUT	4
13	7/16 UNC SERRATED FLANGE NUT	4
14	1/4 UNC HEX CTR LOCK NUT	3
15	1/4 TYPE A PLAIN WASHER	3
16	7/16 TYPE A PLAIN WASHER	8
17	WASHER-NYLON	2
18	RAMP HOLDER, MALE END	2
19	RAMP HOLDER, FEMALE END	2
20	AEROLATCH-(LATCH ONLY)	1
21	KEEPER-AEROLATCH	1
22	DECAL-PINCH POINT	2
23	COMPRESSION SPRING	4
24	PLASTIC FLUTED KNOB, 1/4-20 X 9/16	2
25	WASHER-PLASTIC	6
26	BOLT-HINGE ARM	2
27	HANDLE-LB10	1
28	PLATE - MOUNT, REAR	1
29	PLATE-BUMPER	1
30	WELDMENT-RAMP, TOP	1
31	WELDMENT-RAMP, MIDDLE	1
32	GUARD-HINGE	1
33	GUARD-HINGE	1
34	ASSEMBLY-BRACKET, LEG	1
35	ASSEMBLY-BRACKET, LEG	1
36	ASSEMBLY-STRAP, LEG	1
37	PLATE-EXTENSION, LATCH	1
38	WELDMENT-RAMP, BOTTOM	1





LINK MANUFACTURING, LTD.
223 15TH ST. NE, SIOUX CENTER, IA 51250
1-800-222-6283 www.linkmfg.com