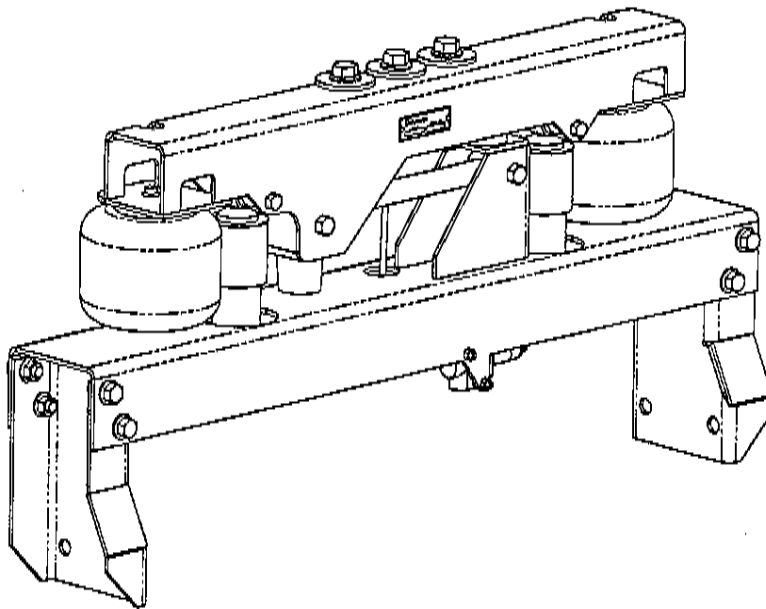


Link Cabmaster®

TRUCK CAB AIR SUSPENSION

OKTP



PRODUCT INFORMATION PARTS LIST



Manufacturing Ltd.

223 15th Street, N.E.
P.O. Box 68
Sioux Center, Iowa 51250-0068

1-800-222-6283 (USA)
1-800-334-8343 (Canada)
1-712-722-4874

CABMATE® MODEL OKTP

PARTS LIST

ITEM #	PART #	PART DESCRIPTION	QTY.
1	1102-0047	Air Spring	2
2	1202-0054	Shock Absorber	2
3	1301-0027	Height Control Valve	1
4	1302-4035	Elbow, 1/4 TB, 1/4 M-NPT, DOT	2
5	1302-0090	0.250 Airline	7.5
6	1401-0816	1/4 X 2 UNC Bolt (Grade 5)	2
7	1403-1426	7/16 X 3 1/4 UNF Bolt (Grade 5)	2
8	1403-1432	7/16 X 4 UNF Bolt (Grade 5)	2
9	1404-1624	1/2 X 3 UNF Bolt (Grade 8)	1
10	1404-1632	1/2 X 4 UNF Bolt (Grade 8)	1
11	1411-1608	1/2 X 1 UNC Flange Bolt (Grade 8)	8
12	1411-2014	5/8 X 1 3/4 UNC Flange Bolt (Grade 8)	3
13	1435-1012	5/16 X 1 1/2 UNC Carriage Head Bolt	2
14	1475-2400	3/4 UNF Jam Nut	2
15	1476-0800	1/4 UNC Lock Nut	2
16	1476-1000	5/16 UNC Lock Nut	2
17	1477-1400	7/16 UNF Lock Nut	4
18	1477-1601	1/2 UNF Top Lock Nut	2
19	1480-1601	1/2 UNC Top Lock Flange Nut (Grade F)	8
20	1480-2001	5/8 UNC Top Lock Flange Nut (Grade F)	3
21	1500-0070	Rubber Bumper	2
22	1500-0285	Valve Linkage	1
23	1500-0320	1/2 Retainer Ring	2
24	2760-0001	Washer-Mount, Cab	3
25	2760-1000	Bracket-Mount, Cab	1
26	2760-2000	Bracket-Mount, Crossmember	1
27	2760-3100	Bracket-Mount, Frame	1
28	2760-3200	Bracket-Mount, Frame	1
29	2990-0700	Assembly-Arm, Valve	1
30	2993-2001	Lateral Control Rod	1

CABMATE® MODEL OKTP

